



25-Gallon ATV Sprayer

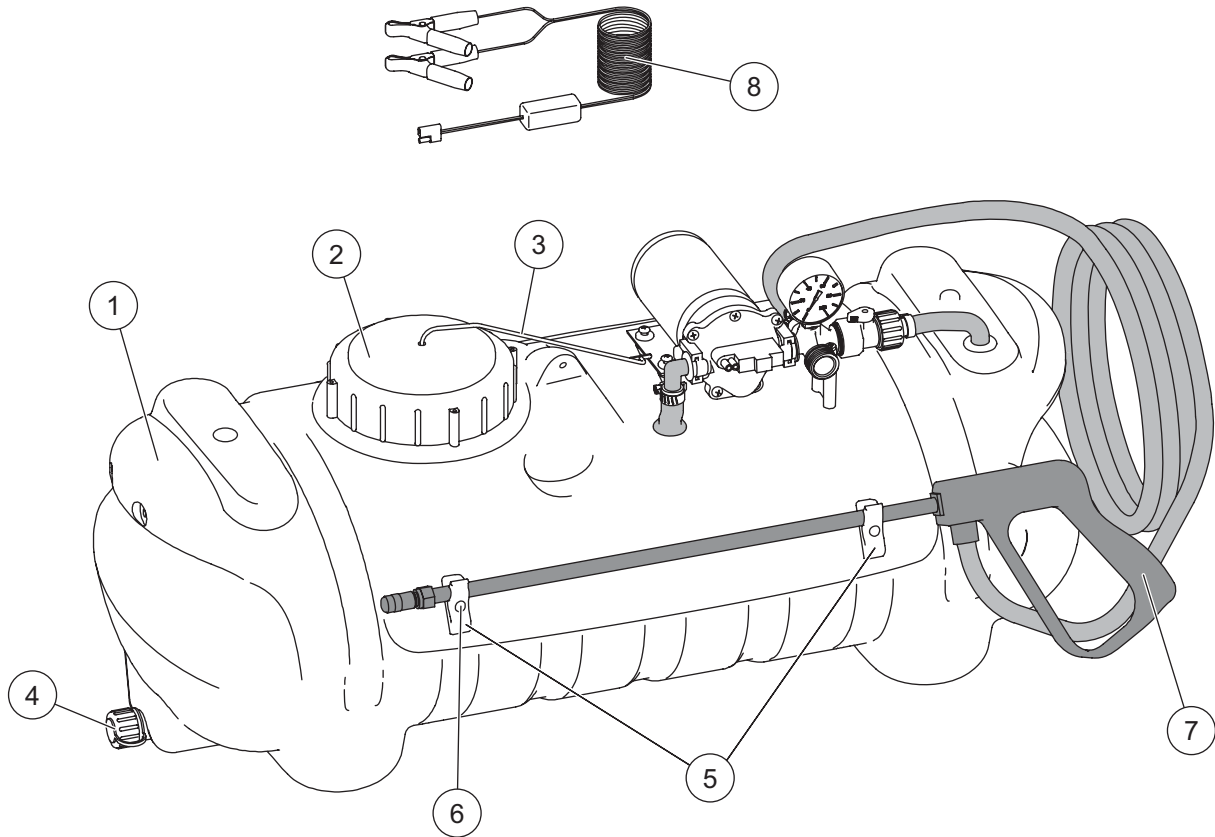
US200

Parts List



US200 SPRAYER

TANK & SPRAY WAND COMPONENTS



Tank & Spray Wand Components

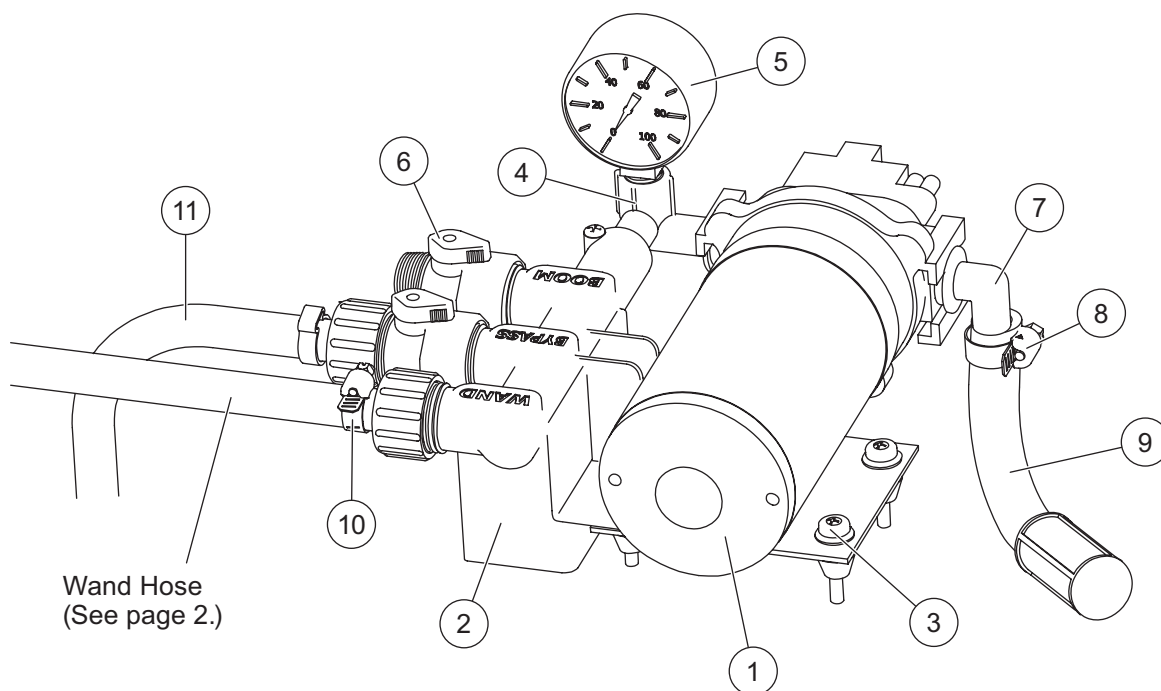
Item	Part	Qty	Description	Item	Part	Qty	Description
1	TF600132	1	25 gal Poly Tank	6		2	#10-24 x 3/8 Cap Screw
2	TF600133	1	Tank Lid	7	TF600147	1	Deluxe Wand & Hose Assembly
3		1	Tank Lid Tether	8	TF600153	1	Lead Wire Assembly w/Switch – 96"
4	TF600298	3	Drain Cap Assembly	ns	RS-72	1	Ratchet Strap*
5	TF600151	2	Spray Wand Clip	ns	RS-72PK	1	Ratchet Straps (pkg of 2)*

ns = not shown

* Accessory only.

US200 SPRAYER

PUMP & MANIFOLD COMPONENTS



Wand Hose
(See page 2.)

Pump & Manifold Components

Item	Part	Qty	Description	Item	Part	Qty	Description
1	TF640451	1	Pump 2.2 gal/min	7		1	QD EL 12
2	TF600289	1	Manifold Body	8		1	1/2 Hose Clamp
3		4	#10-24 x 1.25 Pan Head Screw	9	TF600315	1	Suction Hose Assembly
4	TF600291	1	Elbow	10	TF600120	2	5/8 Hose Clamp
5	TF600129	1	Pressure Gauge, 0-100 psi	11		1	Relief Hose Assembly
6	TF600216	2	In-Line Valve				



TrynEx International
531 Ajax Drive
Madison Heights, MI 48071-2429
www.turfexproducts.com

 A DIVISION OF DOUGLAS DYNAMICS, LLC

Copyright © 2019 Douglas Dynamics, LLC. All rights reserved. This material may not be reproduced or copied, in whole or in part, in any printed, mechanical, electronic, film, or other distribution and storage media, without the written consent of TrynEx International, LLC. Authorization to photocopy items for internal or personal use by TrynEx International outlets or sprayer owner is granted.

TrynEx International reserves the right under its product improvement policy to change construction or design details and furnish equipment when so altered without reference to illustrations or specifications used. TrynEx International may require or recommend optional equipment for sprayers. TrynEx International offers a limited warranty for all sprayers and accessories. Warranty information available at www.TurfExproducts.com. The following are registered (®) trademarks of Douglas Dynamics, LLC: TurfEx®.

Printed in U.S.A.