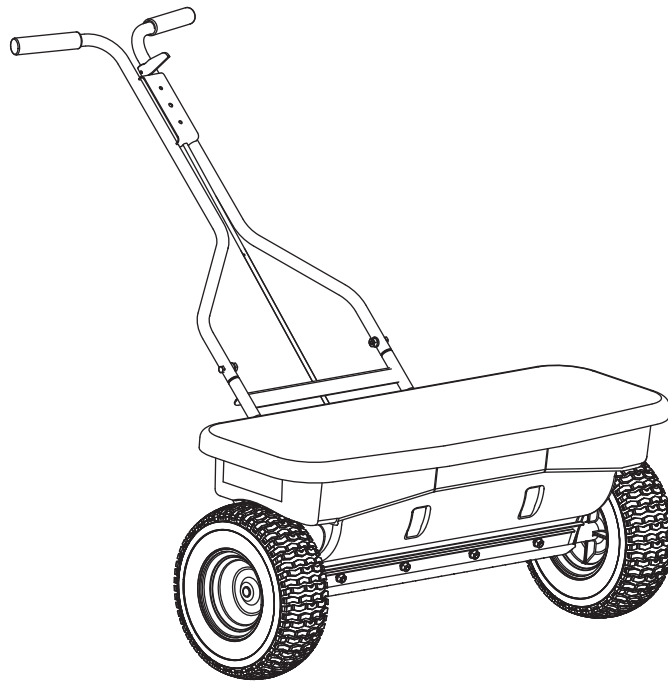




Walk-Behind Drop Spreader

TS-95

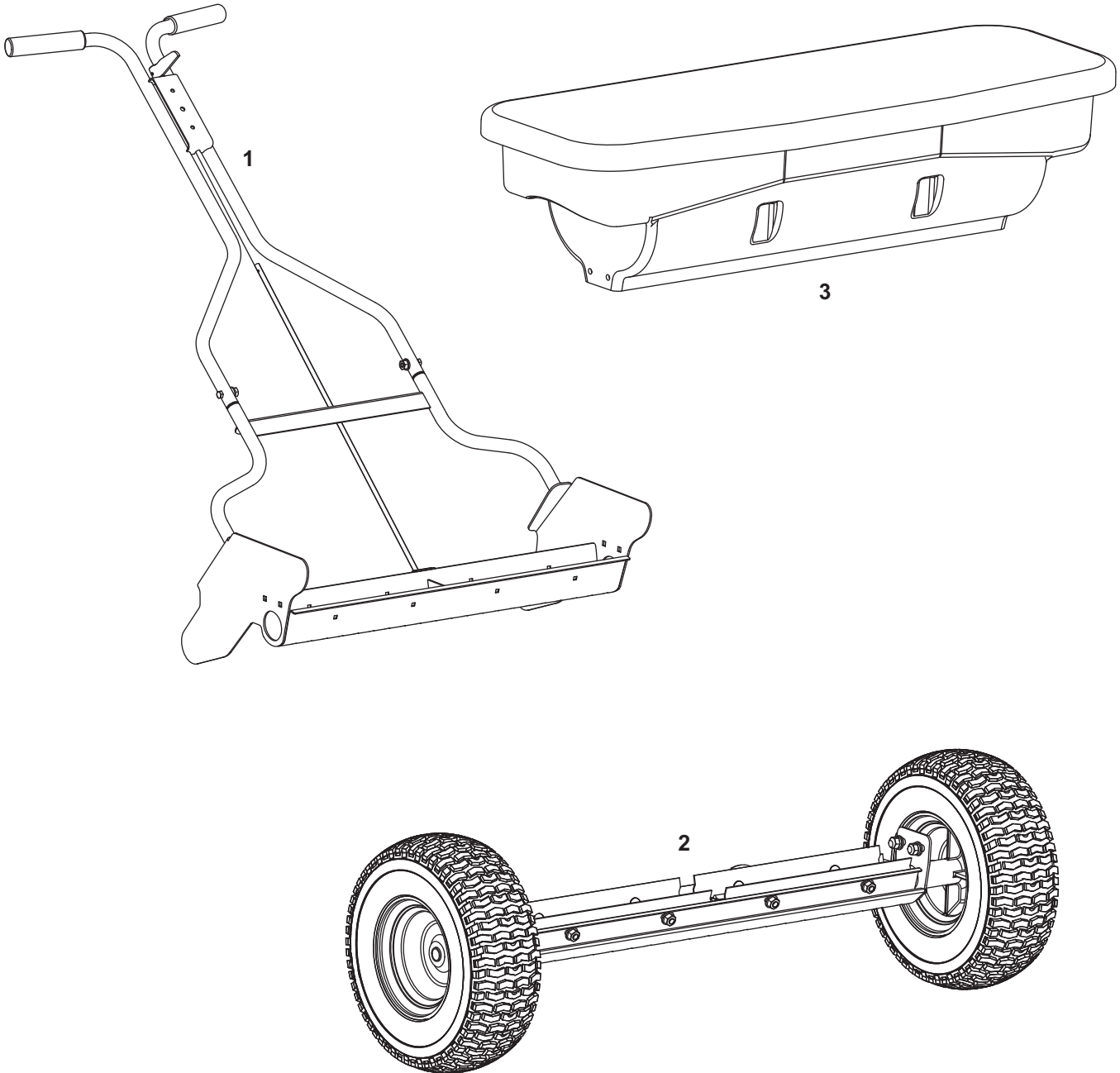
Parts List



This document is for TurfEx® TS-95 walk-behind drop spreaders beginning with serial numbers PF-101257 and higher, or PG-100265 and higher.

TS-95 WALK-BEHIND DROP SPREADER

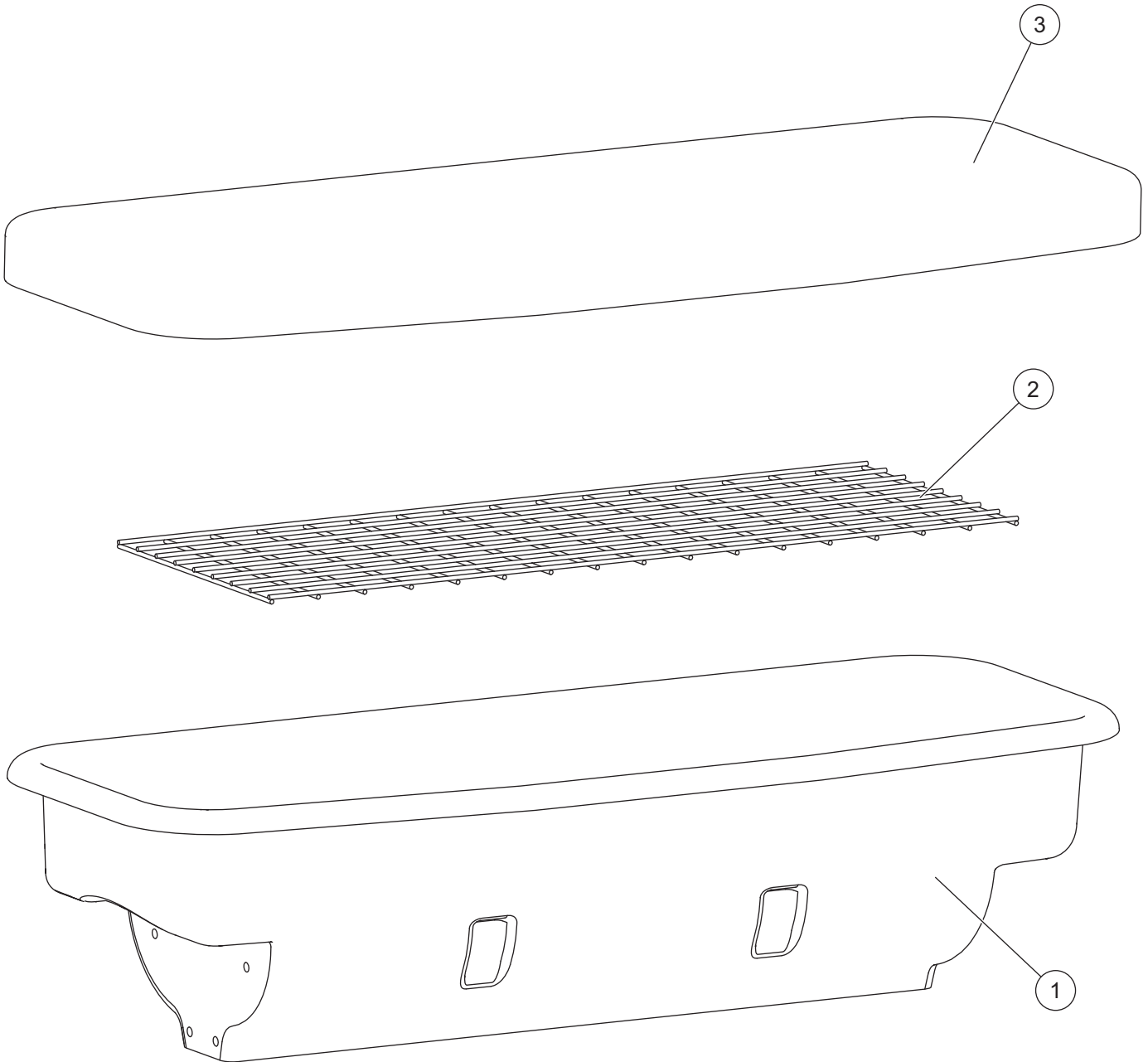
SUB-ASSEMBLY: MODEL TS-95



Sub-Assembly - TS-95					
Item	Qty	Description	Item	Qty	Description
1	1	Main Frame Assembly	3	1	Hopper Assembly
2	1	Lower Axle Assembly			

TS-95 WALK-BEHIND DROP SPREADER

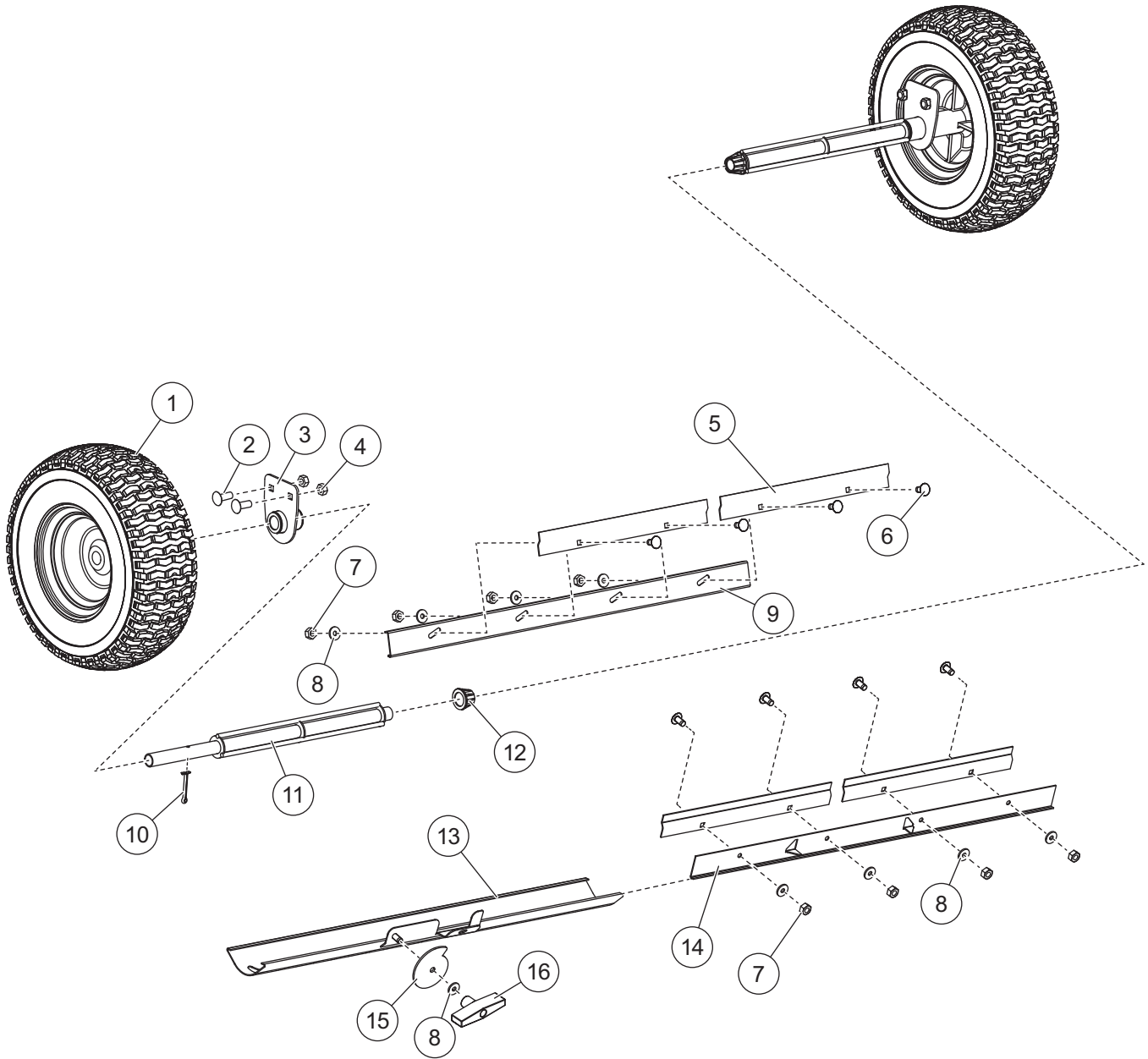
HOPPER ASSEMBLY: MODEL TS-95



Hopper Assembly – TS-95						
Item	Part	Qty	Description	Item	Part	Qty Description
1	T30165	1	Hopper	3	D5020	1 Clear Cover
2	D5008	1	Screen			

TS-95 WALK-BEHIND DROP SPREADER

LOWER AXLE ASSEMBLY: MODEL TS-95



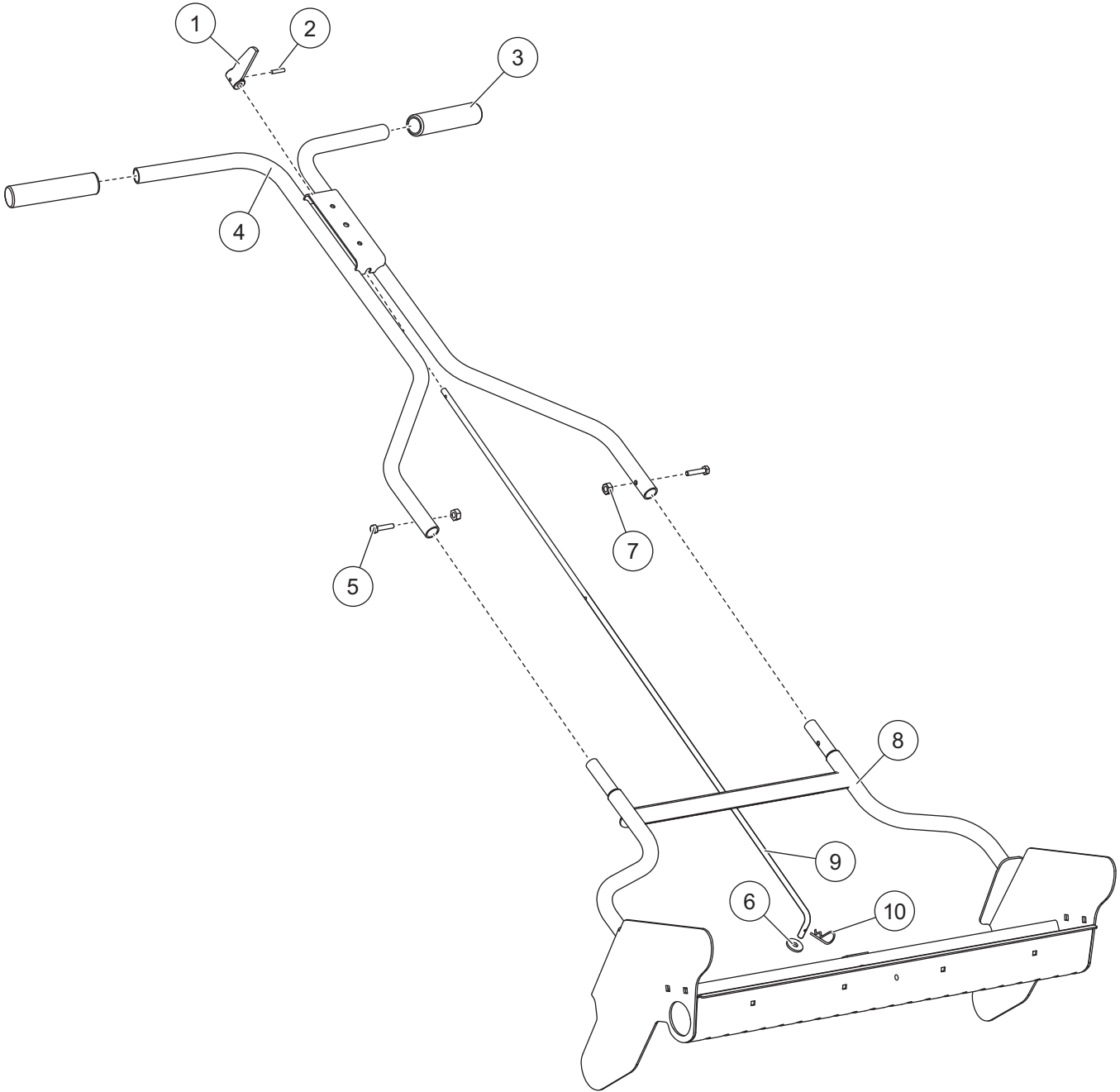
Lower Axle Assembly - TS-95

Item	Part	Qty	Description	Item	Part	Qty	Description
1	D5904	2	Wheel	9	D5009	1	Adjustment Angle
2	D5022	4	5/16-18 x 3/4 Carriage Bolt SS	10	D5919	2	3/16 x 2 Cotter Pin SS
3	D5003	2	Bearing Bracket	11	D5001	2	Agitator Bar
4	D5023	4	5/16 Keps Nut SS	12	D5923	2	Axle Bushing
5	D5014	4	Clamp Cleat	13	D5005	1	Slide Gate
6	D5021	8	1/4-20 x 3/4 Carriage Bolt SS	14	D5010	1	Stop Angle
7	D5942	8	1/4-20 Hex Nut SS	15	D5006	1	Calibration Cam
8	D6134	9	1/4 Lock Washer SS	16	D5007	1	5/16-18 T-Handle Knob

SS = Stainless Steel

TS-95 WALK-BEHIND DROP SPREADER

MAIN FRAME ASSEMBLY: MODEL TS-95



Main Frame Assembly Components - TS-95

Item	Part	Qty	Description	Item	Part	Qty	Description
1	D5011	1	Operator Lever	6	D5949	1	5/16 Washer
2	D5921	1	3/16 x 1-1/4 Spring Pin	7	D5942	1	1/4-20 Hex Nut SS
3	D5917	2	Handle Grip	8	D5002	1	Main Frame
4	D5908	1	Handle Assembly	9	D5004	1	Actuator Rod
5	D5907	2	1/4-20 x 1-3/8 Hex Cap Screw SS	10	D5945	1	Hairpin Clip, 0.0585

SS = Stainless Steel



TrynEx International
531 Ajax Drive
Madison Heights, MI 48071-2429
www.turfexproducts.com

 A DIVISION OF DOUGLAS DYNAMICS, LLC

Copyright © 2017 Douglas Dynamics, LLC. All rights reserved. This material may not be reproduced or copied, in whole or in part, in any printed, mechanical, electronic, film, or other distribution and storage media, without the written consent of TrynEx International, LLC. Authorization to photocopy items for internal or personal use by TrynEx International outlets or spreader owner is granted.

TrynEx International reserves the right under its product improvement policy to change construction or design details and furnish equipment when so altered without reference to illustrations or specifications used. TrynEx International may require or recommend optional equipment for spreaders. TrynEx International offers a limited warranty for all spreaders and accessories. See separately printed page for this important information. The following are registered (®) trademarks of Douglas Dynamics, LLC: TurfEx®.

Printed in U.S.A.