

April 15, 2019
Lit. No. 72399, Rev. 00



25-Gallon Tow-Behind Sprayer

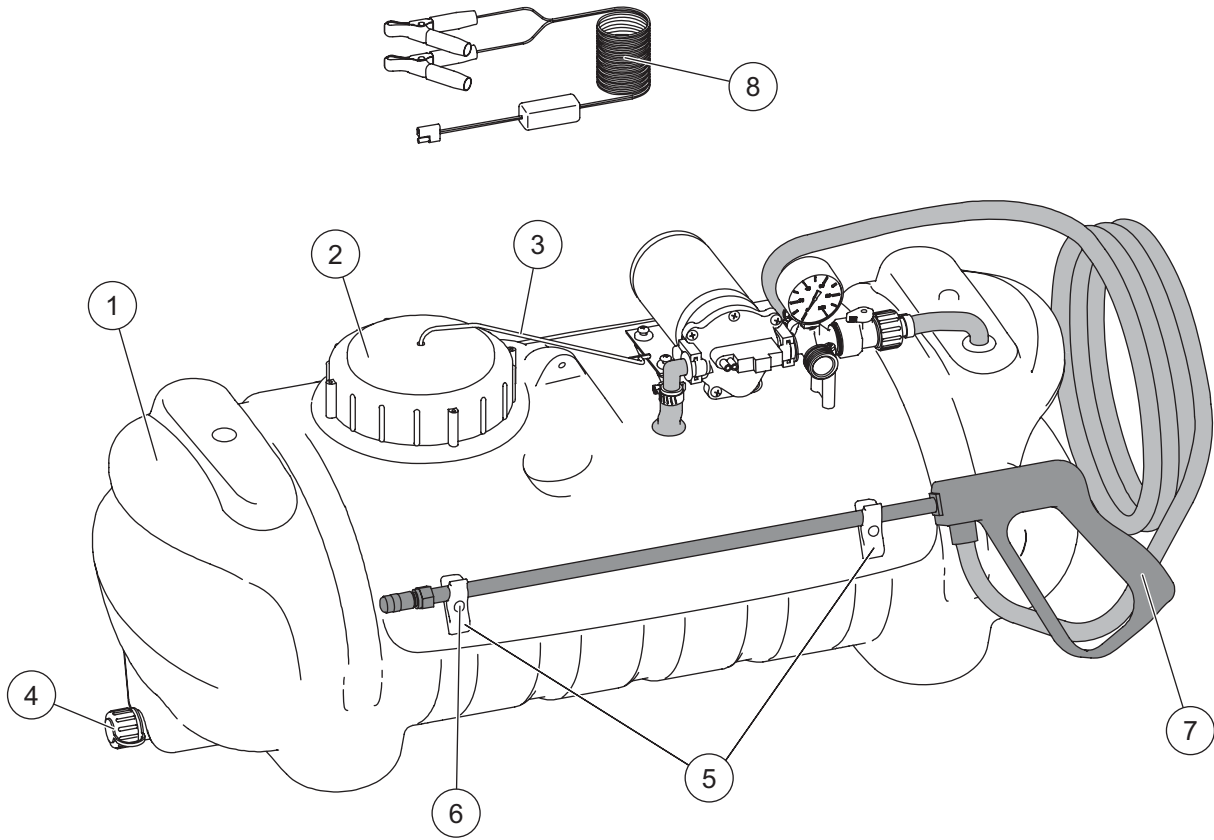
US300

Parts List



US300 TOW-BEHIND SPRAYER

TANK ASSEMBLY



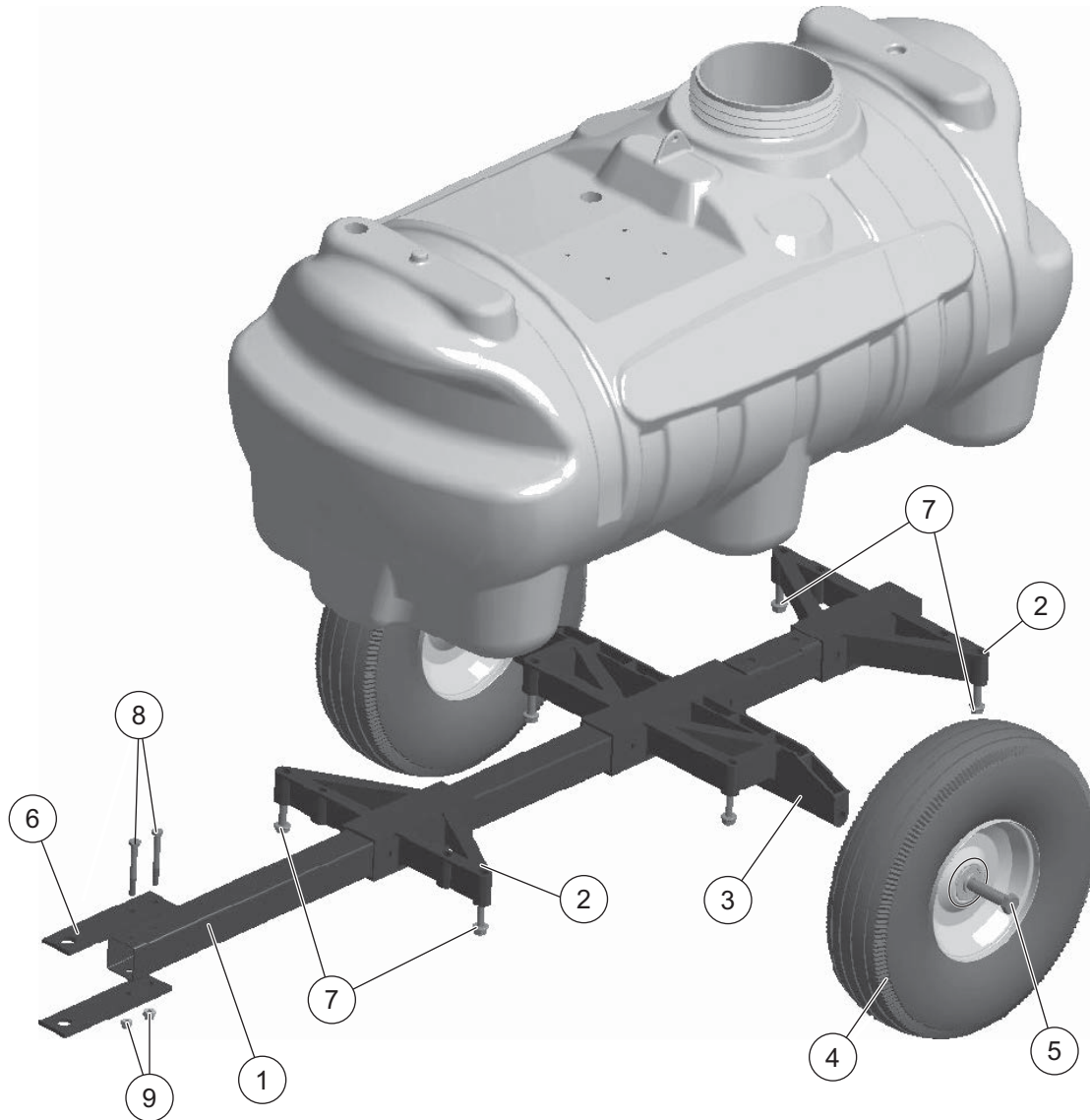
Tank & Spray Wand Components

Item	Part	Qty	Description	Item	Part	Qty	Description
1	TF600132	1	25 gal Poly Tank	5	TF600151	2	Spray Wand Clip
2	TF600133	1	Tank Lid	6		2	#10-24 x 3/8 Cap Screw
3		1	Tank Lid Tether	7	TF600147	1	Deluxe Wand & Hose Assembly
4	TF600298	3	Drain Cap Assembly	8	TF600153	1	Lead Wire Assembly w/Switch – 96"

ns = not shown

US300 TOW-BEHIND SPRAYER

TRAILER ASSEMBLY

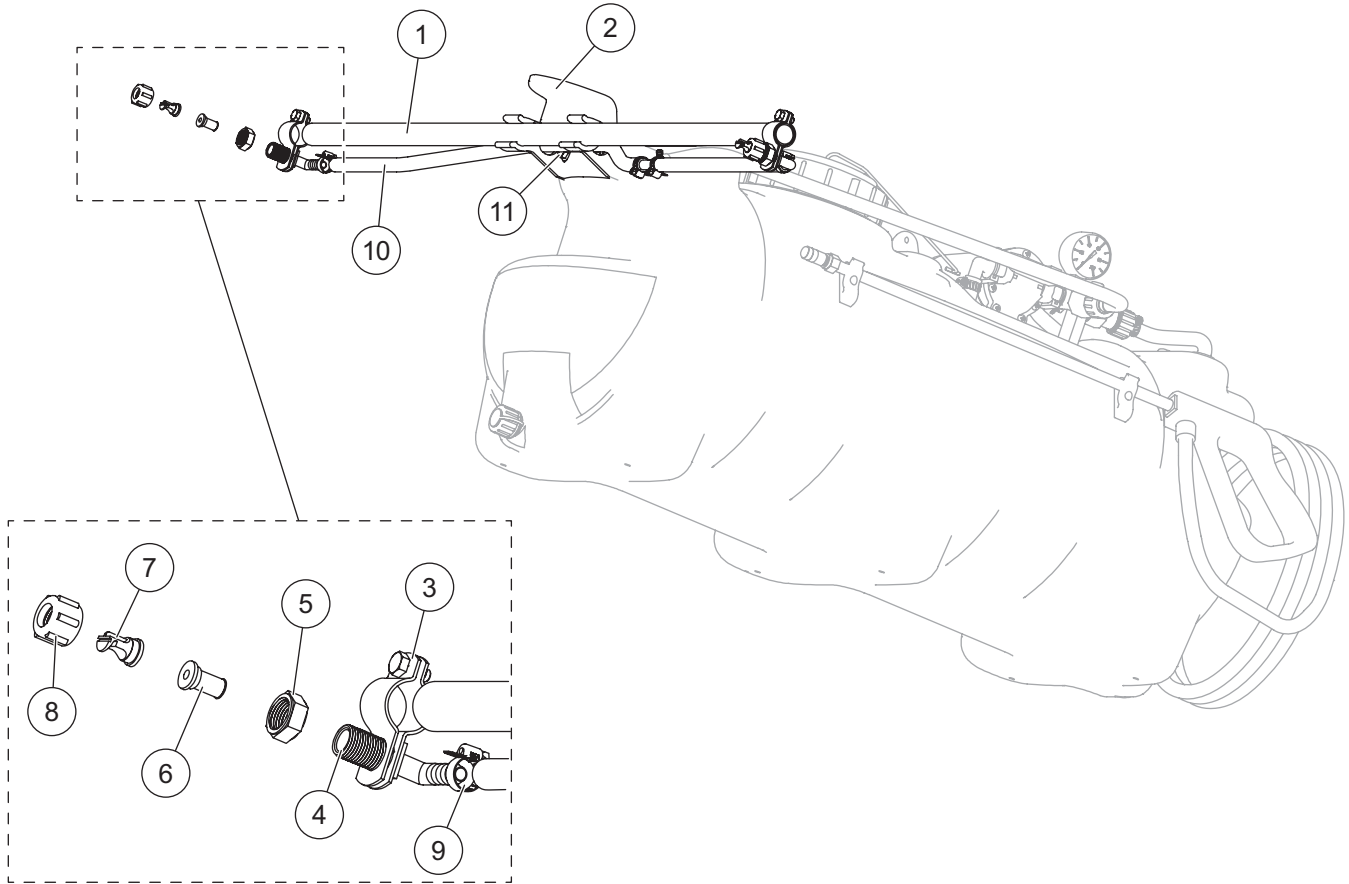


Trailer Assembly Components

Item	Part	Qty	Description	Item	Part	Qty	Description
1		1	Frame Tube	6	2	2	WH Hitch Bracket
2		2	Frame Member – Front, Back	7	6	6	5/16-18 x 1-3/4 Hex Cap Screw
3		1	Frame Member – Axle	8	2	2	1/4-20 x 2-1/4 Hex Cap Screw
4	TF600104	2	Tire/Wheel Assembly	9	2	2	1/4-20 Locknut
5		2	1/2-13 x 3-1/2 Hex Cap Screw				

US300 TOW-BEHIND SPRAYER

SPRAY BOOM COMPONENTS

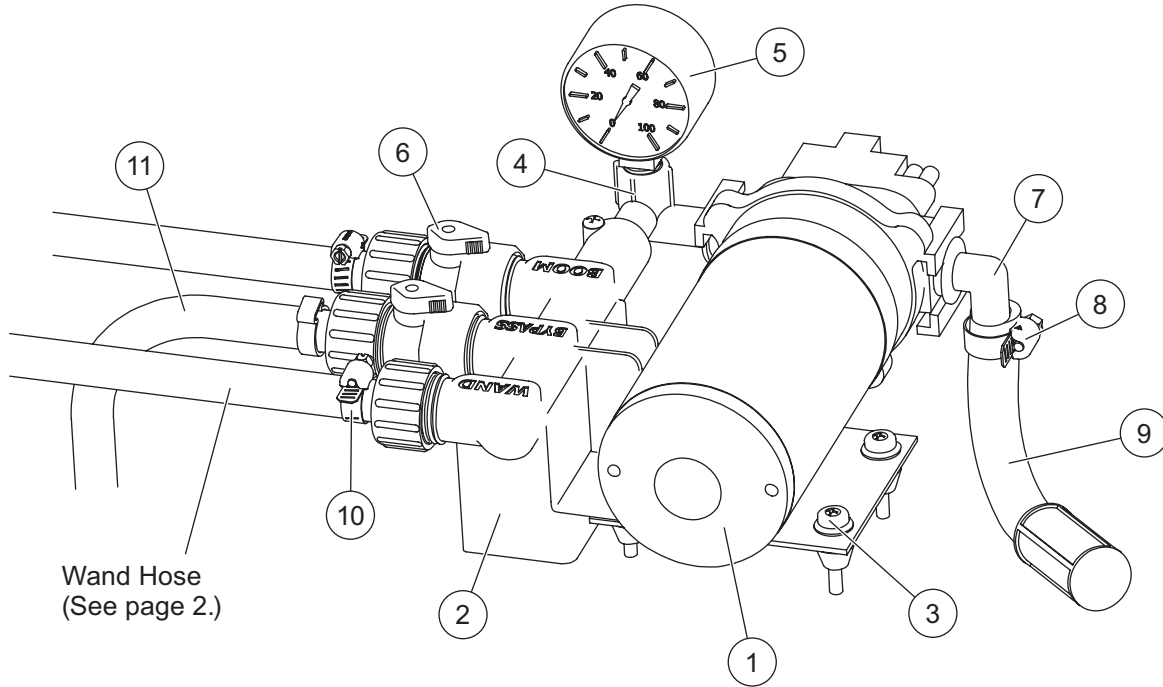


Spray Boom Components

Item	Part	Qty	Description	Item	Part	Qty	Description
1		1	Spray Boom	7	TF600118	2	#3 FT Spray Tip
2		1	Spray Boom Bracket, 25-gal	8	TF600119	2	8027 Swivel Nut
3		2	B 11-34 R Boom Clamp Assembly	9	TF600120	2	5/8 Hose Clamp
4		2	NTL38 P Fitting	10		1	Boom Hose Assembly
5		2	N1116 P Hex Nut	11		2	5/16-18 x 3/4 Hex Cap Screw
6	TF600117	2	Check Valve/Strainer				

US300 TOW-BEHIND SPRAYER

PUMP & MANIFOLD COMPONENTS



Pump & Manifold Components						
Item	Part	Qty	Description	Item	Part	Qty Description
1	TF640451	1	Pump 2.2 gal/min	7		1 QD EL 12
2	TF600289	1	Manifold Body	8		1 1/2 Hose Clamp
3		4	#10-24 x 1-1/4 Pan Head Screw	9	TF600315	1 Suction Hose Assembly
4	TF600291	1	Elbow (2.2 gal/min pump)	10	TF600120	2 5/8 Hose Clamp
5	TF600129	1	Pressure Gauge, 0-100 psi	11		1 Relief Hose Assembly
6	TF600216	2	In-Line Valve			



TrynEx International, LLC
531 Ajax Drive
Madison Heights, MI 48071-2429
www.turfexproducts.com

 A DIVISION OF DOUGLAS DYNAMICS, LLC

Copyright © 2019 Douglas Dynamics, LLC. All rights reserved. This material may not be reproduced or copied, in whole or in part, in any printed, mechanical, electronic, film, or other distribution and storage media, without the written consent of TrynEx International, LLC. Authorization to photocopy items for internal or personal use by TrynEx International outlets or sprayer owner is granted.

TrynEx International reserves the right under its product improvement policy to change construction or design details and furnish equipment when so altered without reference to illustrations or specifications used. TrynEx International or the vehicle manufacturer may require or recommend optional equipment for sprayers. Do not exceed vehicle ratings with a sprayer. TrynEx International offers a limited warranty for all sprayers and accessories. Warranty information available at www.TurfExproducts.com. The following are registered (®) or unregistered (™) trademarks of Douglas Dynamics, LLC: TurfEx®.

Printed in U.S.A.