



TS200 Hopper and Drive Components

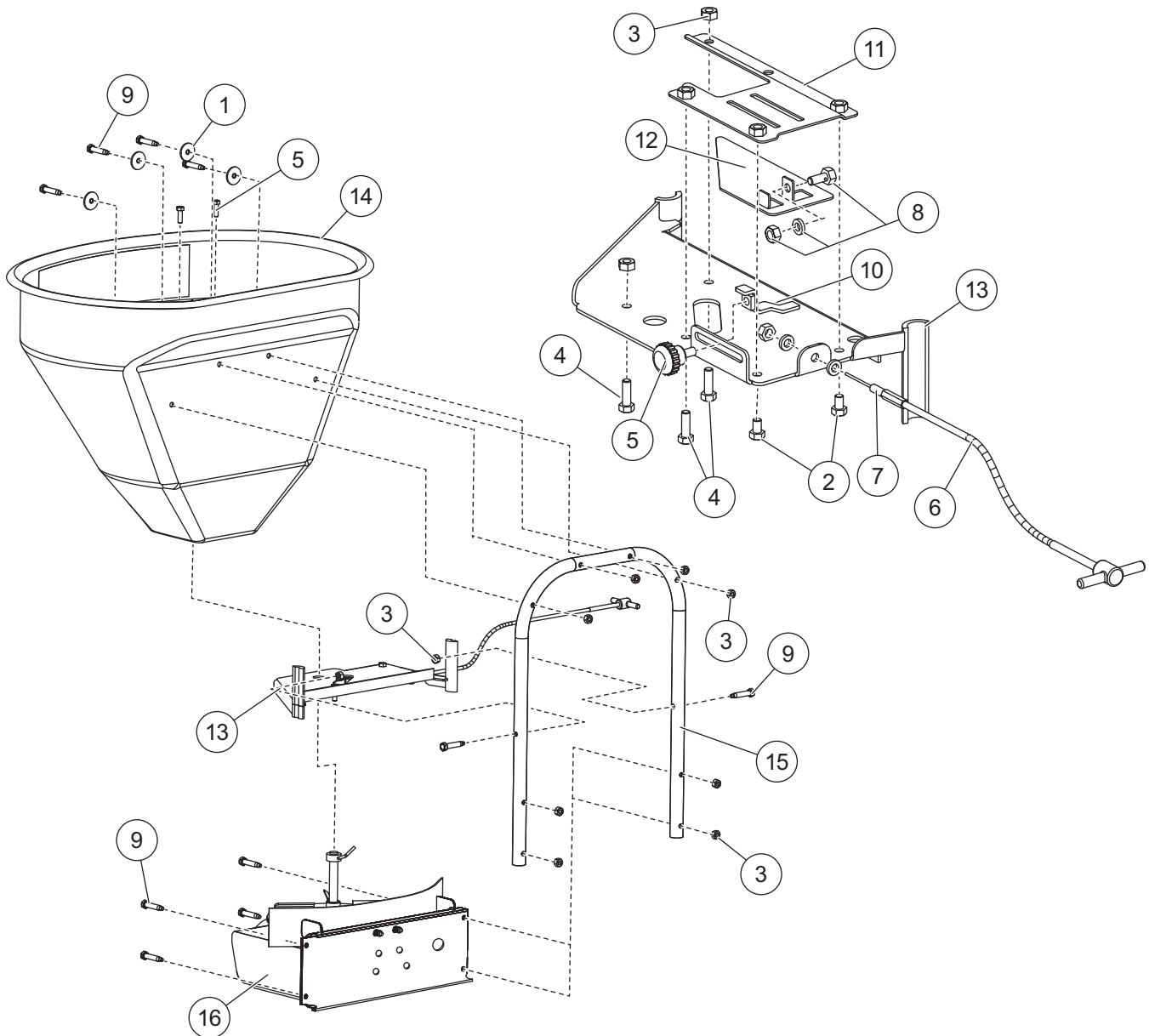
Model TS-200

Zero-Turn Mower Spreader

Parts List

TS-200 ZERO-TURN MOWER SPREADER

TS-200 HOPPER COMPONENTS



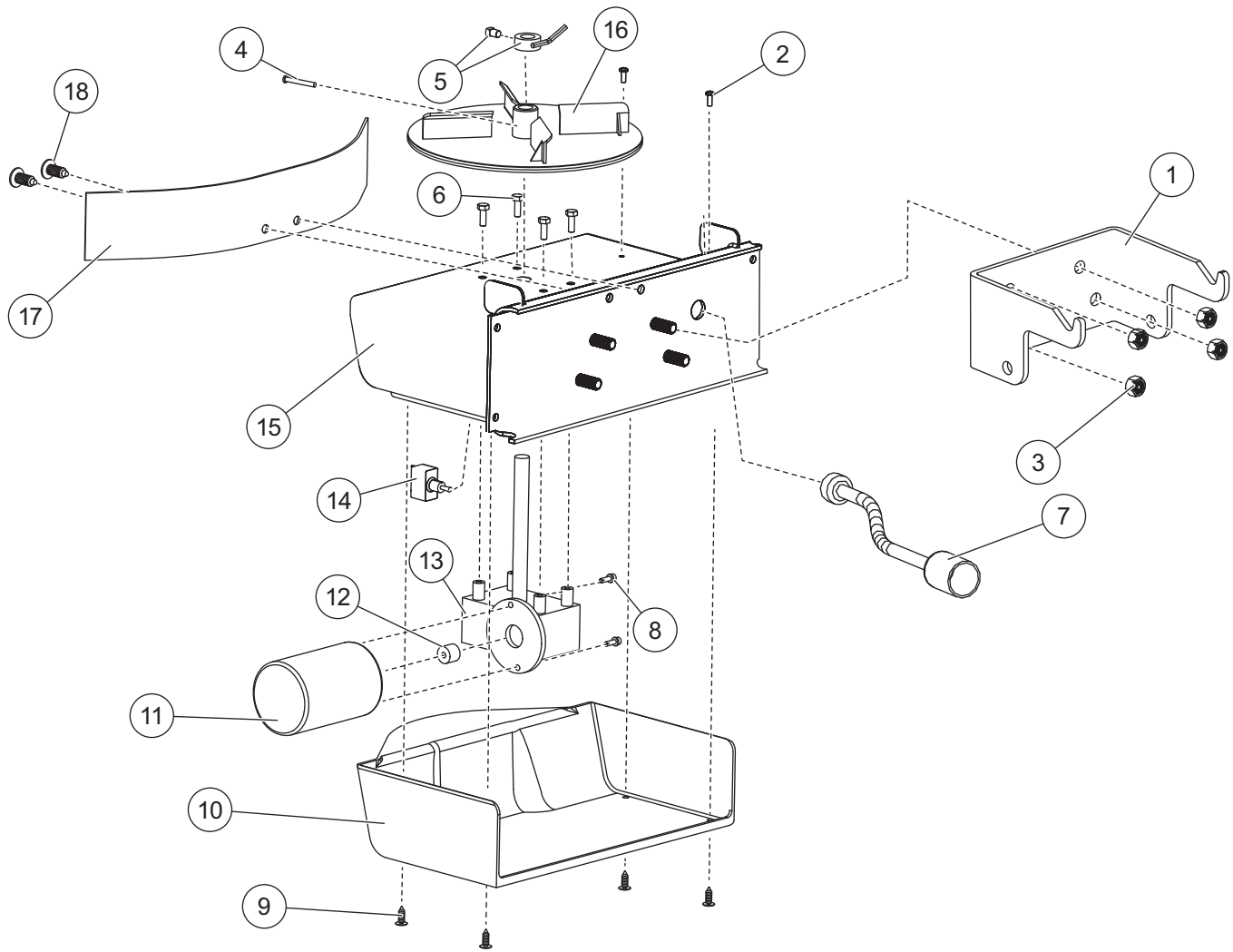
TS-200 Zero-Turn Mower Spreader Hopper Components

| Item | Part | Qty | Description | Item | Part | Qty | Description |
|------|-------|-----|------------------------------------|------|--------|-----|---------------------------------|
| 1 | D6081 | 4 | 5/16 Fender Washer | 10 | D6703 | 1 | Gate Indicator / Stop |
| 2 | D6133 | 2 | 5/16-18 x 1/2 Hex Cap Screw | 11 | D6704 | 1 | Seeder Gate Track |
| 3 | D6138 | 14 | 5/6 Locknut | 12 | D6705 | 1 | Seeder Gate Slide |
| 4 | D6166 | 3 | 5/16-18 x 1 Hex Cap Screw | 13 | D6077 | 1 | Seeder Gate Deck |
| 5 | D6302 | 1 | Gate Knob | 14 | T15109 | 1 | 2.0 ft ³ Hopper |
| 6 | D6072 | 1 | T-Handle Cable – 5' | 15 | D6065 | 1 | Hopper Tube Support |
| 7 | D6305 | 1 | Bulkhead Cable Fitting Assembly | 16 | D6063 | 1 | Wireless Drive Enclosure |
| 8 | D6308 | 1 | 5/16-18 x 3/4 Bolt Assembly w/Hole | ns | D6192 | 1 | Label – Warning, Hands & Feet |
| 9 | D6462 | 12 | 5/16-18 x 1-3/4 Hex Cap Screw | ns | D6194 | 1 | Label – Warning, Owner's Manual |

ns = not shown

TS-200 ZERO-TURN MOWER SPREADER

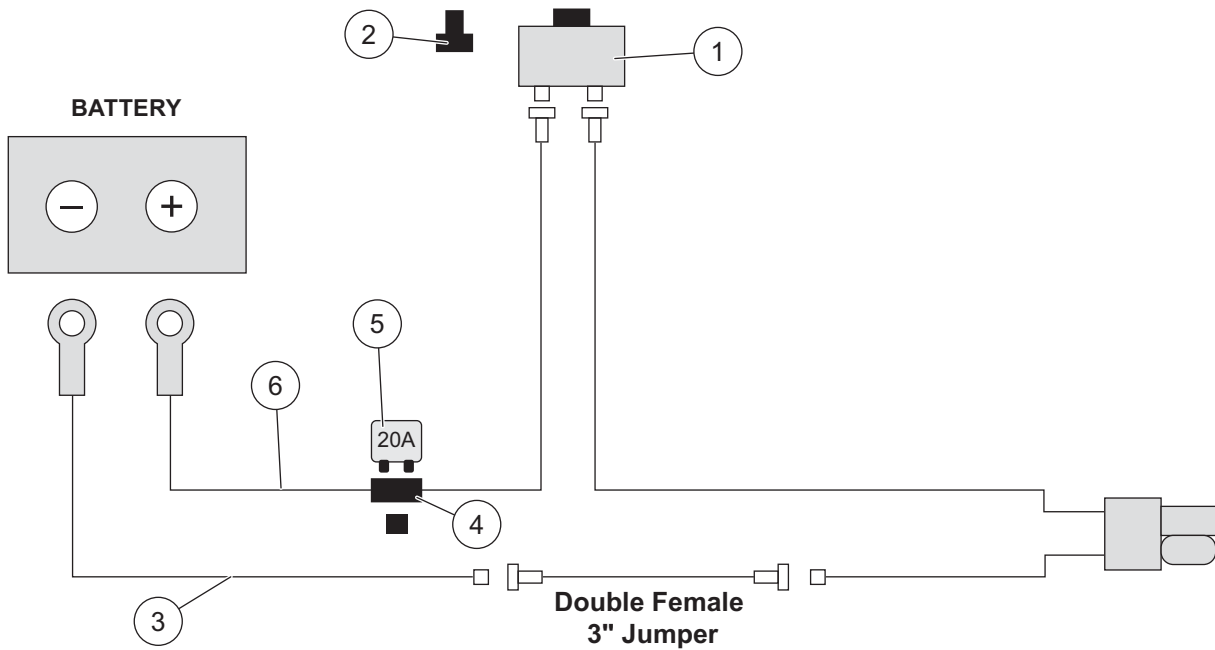
TS-200 DRIVE COMPONENTS



| TS-200 Drive Components | | | | | | | |
|-------------------------|--------|-----|--|-------------------------------------|--------|-----|-----------------------------|
| Item | Part | Qty | Description | Item | Part | Qty | Description |
| 1 | T15106 | 1 | ZTR Hitch Mount | 9 | D6467 | 4 | Plastic Push Pin |
| 2 | D6079 | 2 | #10-32 x 1/2 Hex Machine Screw w/Washer | 10 | D6064 | 1 | Motor Cover Enclosure |
| 3 | D5535 | 4 | 1/2-13 Serrated Flange Nut | 11 | D6078 | 1 | Spinner Motor |
| 4 | D6398 | 1 | Spinner Detent Pin | 12 | D6232 | 1 | Motor Drive Coupler |
| 5 | D6405 | 1 | Material Agitator | 13 | D6715 | 1 | Spinner Transmission |
| 6 | D6131 | 4 | 1/4-20 x 1/2 Hex Cap Screw SS | 14 | D6071 | 1 | Switch Assembly |
| 7 | D6162 | 1 | Spinner Power Cord | 15 | D6063 | 1 | Spinner Drive Enclosure |
| 8 | D6172 | 2 | #10-32 x 5/8 Serrated Flange Hex Cap Screw | 16 | T15035 | 1 | Adjustable Spinner SS |
| | | | | 17 | D6110 | 1 | Material Deflector |
| | | | | 18 | D6463 | 2 | Plastic Push Pin |
| Item 16 | | | | T15035 Adjustable Spinner SS | | | |
| | T15030 | 1 | Adjustable Spinner Plate, 10" | | T30218 | 4 | 1/4-20 x 1-1/4 Pan Screw SS |
| | T15031 | 4 | Spinner Flite SS | | T15014 | 4 | 1/4 Flat Washer SS |
| | T30217 | 4 | Spring, .360 x .047 x 1 SS | | 67076 | 4 | 1/4-20 Hex Locknut GB SS |
| | 90088 | 1 | 5/16-18 x 1/2 Hex Cap Screw SS | | | | |
| SS = Stainless Steel | | | | | | | |

TS-200 ZERO-TURN MOWER SPREADER

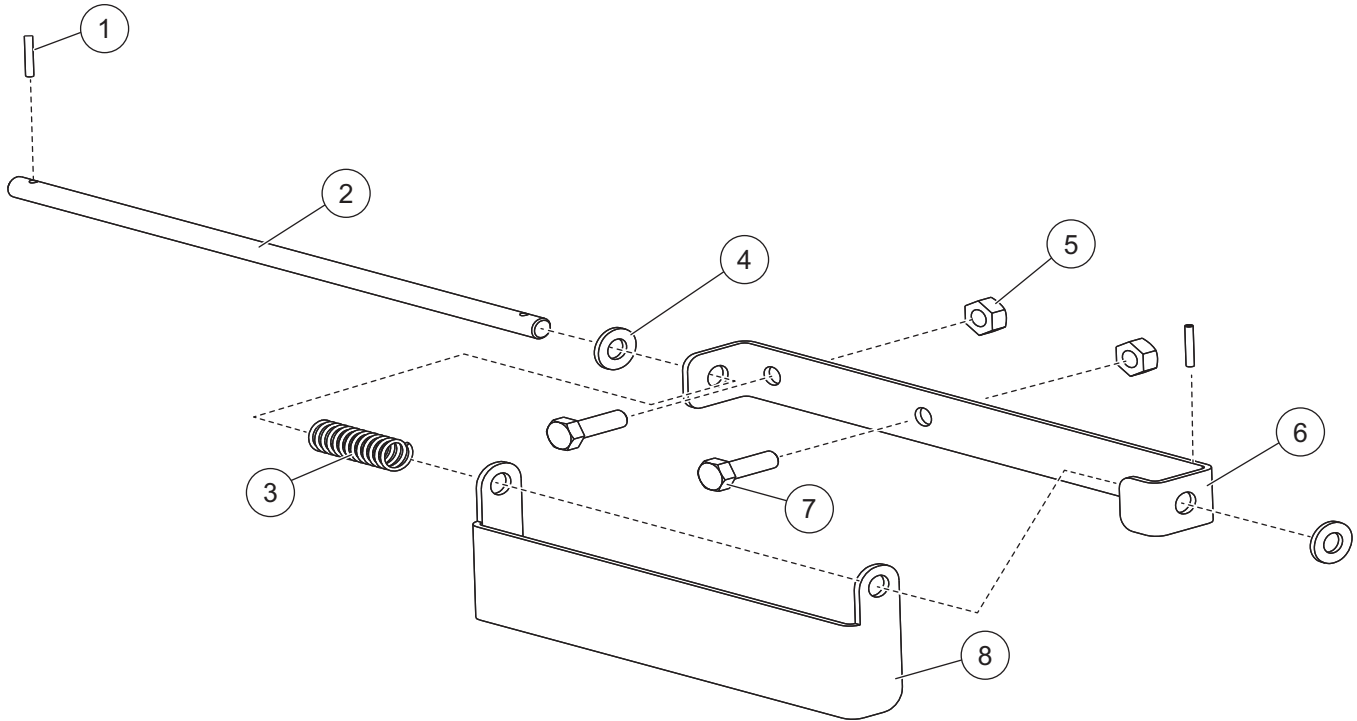
TS-200 SPREADER CONTROL HARNESS KIT



| Electrical Components | | | | | | | |
|-----------------------|-------|-----|--------------------|------|-------|-----|--------------------|
| Item | Part | Qty | Description | Item | Part | Qty | Description |
| 1 | D6184 | 1 | On/Off Switch | 4 | D6425 | 1 | Fuse Holder |
| 2 | D6406 | 1 | Rubber Switch Boot | 5 | D6482 | 1 | 20A Fuse |
| 3 | D6716 | 1 | Wiring Harness | 6 | D7105 | 1 | 3/8" Ring Terminal |

TS-200 ZERO-TURN MOWER SPREADER

SDK-020 DEFLECTOR KIT



| Electrical Components | | | | | | | |
|-----------------------|--------|-----|--------------------------|------|--------|-----|------------------------------|
| Item | Part | Qty | Description | Item | Part | Qty | Description |
| 1 | D6853 | 2 | Cotter Pin | 5 | T15018 | 2 | 5/16 Locknut SS |
| 2 | T15055 | 1 | Side Deflector Hinge Pin | 6 | T15054 | 1 | Deflector Mounting Bracket |
| 3 | T15056 | 1 | Compression Spring | 7 | D6418 | 2 | 5/16-18 x 1 Hex Cap Screw SS |
| 4 | D6169 | 2 | 3/8 Flat Washer SS | 8 | T15053 | 1 | Side Deflector |

SS = Stainless Steel

TS-200 ZERO-TURN MOWER SPREADER



TrynEx International
531 Ajax Drive
Madison Heights, MI 48071-2429
www.turfexproducts.com

 A DIVISION OF DOUGLAS DYNAMICS, LLC

Copyright © 2021 Douglas Dynamics, LLC. All rights reserved. This material may not be reproduced or copied, in whole or in part, in any printed, mechanical, electronic, film, or other distribution and storage media, without the written consent of TrynEx International, LLC. Authorization to photocopy items for internal or personal use by TrynEx International outlets or spreader owner is granted.

TrynEx International reserves the right under its product improvement policy to change construction or design details and furnish equipment when so altered without reference to illustrations or specifications used. TrynEx International or the vehicle manufacturer may require or recommend optional equipment for spreaders. Do not exceed vehicle ratings with a spreader. TrynEx International offers a limited warranty for all spreaders and accessories. See separately printed page for this important information. The following are registered (®) trademarks of Douglas Dynamics, LLC: TurfEx®.

Printed in U.S.A.